

caroma®

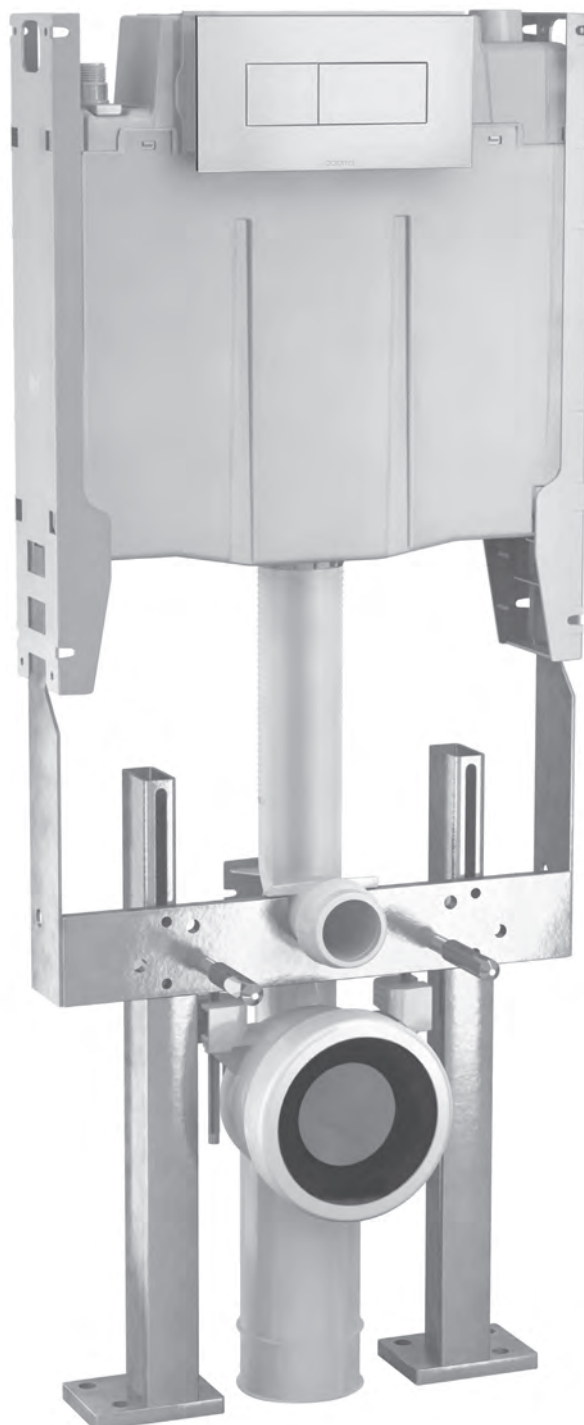
Invisi II Bracket System

Available November 2008

CI/SfB	(74.1)	g3
Date	July 2008	

Supersedes all previous issues

11.02.1



Invisi II

Bracketing System Inwall, Under Counter, Induct or Inceiling Wall Hung Pan installations

A wall hung sanitaryware bracketing system developed to meet the needs of a modern Australian building industry, offering the designer a more universal cost effective installation suitable for the majority of construction methods. The system features installation simplicity, flexibility and space saving. The Invisi II Bracketing System is completely interchangeable with Caroma wall hung pans together with the concealed Invisi II cistern inwall, under counter, in ceiling and induct installations.

The Invisi II bracket is self supporting from the structural floor and maintains its rigidity under load thus making the bracket ideal for use where light metal framing construction is required. This bracket has also been developed for stud mounting installations.

All pan brackets have two pan fixing positions suitable for either Cube, Walvit or Metro wall hung pans. These positions are detailed and must be specified.

Note: The bracket system is suitable for installation only where non compressible wall materials are used.

Joining of Pan to Soil Outlet: The Invisi II wall hung pan suites include the Invisi II wall hung pan connector. This connector is compact in design, suitable for a 90mm wall cavity. Accurate positioning of the waste pipe relative to studwork is essential.

The usual practice in building sequence for the installation of the Invisi II Bracket is for the plumber to fix the associated stack work or drainage, thus this process is now greatly simplified as the brackets is pre-assembled with Invisi II cistern and pipe work, reducing on-site installation costs and problems. The brackets incorporate a simple height adjustment system with pipe connection clamps for final adjustments and alignment for varying floor and wall thickness.

There are two bracket options available:

D.402 Invisi II Wall Hung Under Counter Bracket for use with structural floors. Code No.237402. Zinc plated steel bracket for fixing Cube, Walvit, and Metro wall hung pans. The bracket is included in the Invisi II under counter rough in kit, supplied with the toilet suites or it can be purchased separately using the above product code.

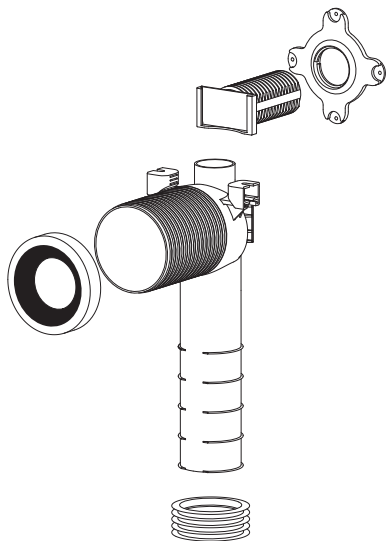
D.403 Invisi II Wall Hung Standard Bracket for use with structural floors or structural stud walls. Code No.237403. Zinc plated steel bracket for fixing Cube, Walvit, and Metro wall hung pans. The bracket is included in the Invisi II standard rough in kit supplied with the toilet suites or it can be purchased separately using the above product code.

Detailing of bracket in-situ:

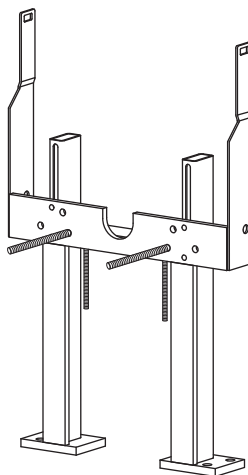
The adjustment flexibility of the system provides height adjustment which is necessary for fine alignment of sanitaryware independent of the floor level allowing varying tiled floor finishes over the structural slab. The soil pipe connector clamps can be finely adjusted to provide the correct pan height setout. Integrated flush pipe support bracket is also provided. When installed in inwall installations with metal stud wall construction and mounted from the floor no structural wall is required behind the bracket installation increasing its versatility for the designer.

Fixing: To be bolted to the structural slab using four Ramset true bolt anchors. For stud wall installation suitable fixings must be used, as detailed in installation instructions.

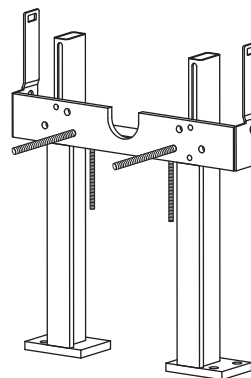
Dimensions: All dimensions are in millimetres and are subject to normal manufacturing variations. Caroma pursues a policy of continuing improvement in design and performance of its products. The right is therefore reserved to vary specifications without notice.



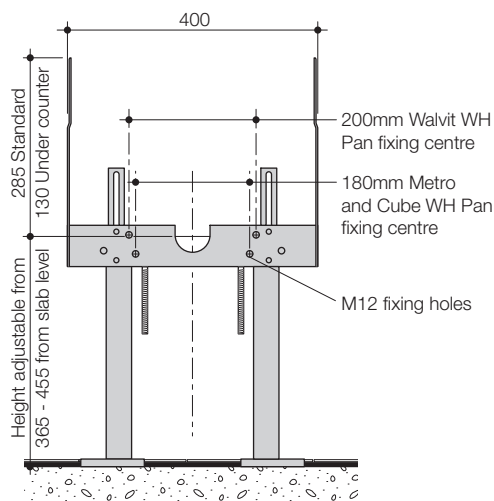
Invisi II Wall Hung Pan Connector
Code No.237279



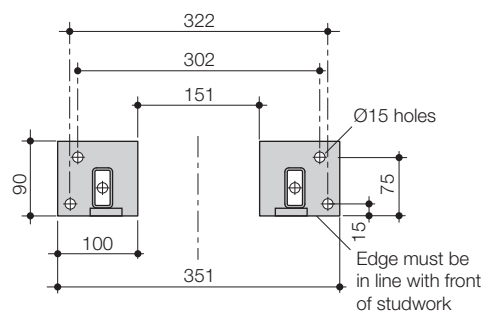
D.403 Invisi II Wall Hung Pan Bracket — Standard
Code No.237403



D.402 Invisi II Wall Hung Pan Bracket — Undercounter
Code No.237402



**Typical Foot Base Detail
Invisi II Wall Hung Pan Bracket**



D.403 Invisi II Wall Hung Pan Bracket

— Standard

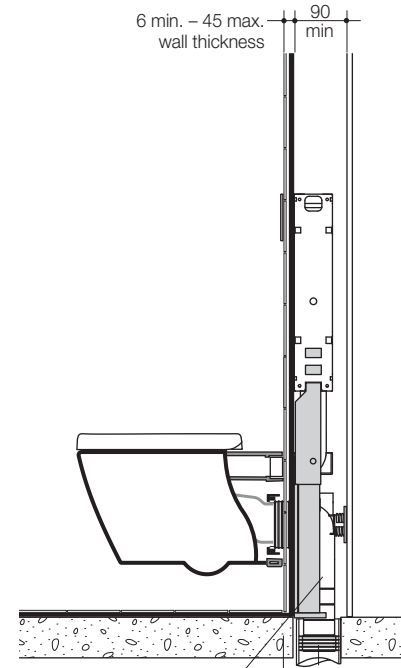
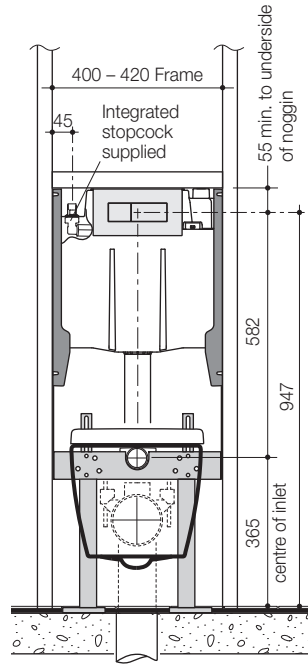
Code No.237403.



Important:

Bracket is suitable for use on non compressible wall materials only.

Inwall Installation



For 100mm UPVC DWW connection use Caroma Invisi II wall hung waste connector

170 max. from finished wall with Invisi II WH pan connector

D.402 Invisi II Wall Hung Pan Bracket

— Under Counter

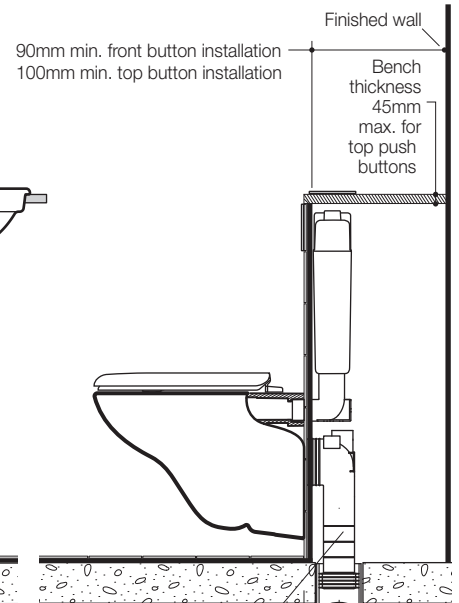
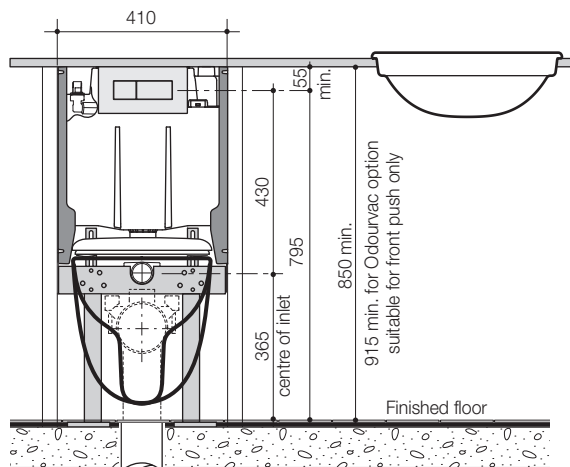
Code No.237402.



Important:

Bracket is suitable for use on non compressible wall materials only.

Undercounter Installation



For 100mm UPVC DWW connection use Caroma Invisi II wall hung waste connector

170 max. from finished wall with Invisi II WH pan connector